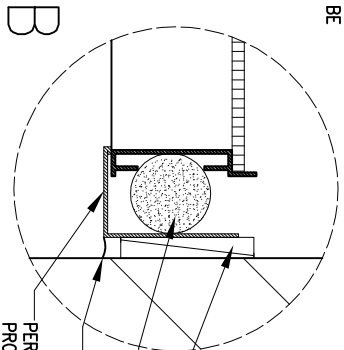
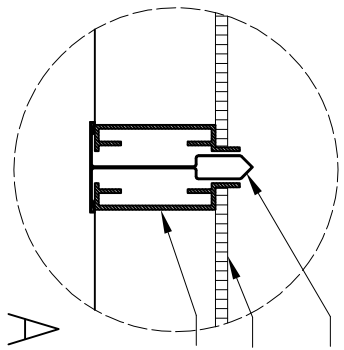


SKYCEILING DIMENSION = 24" INCREMENTS + 13/16" TO OUTSIDE OF PERIMETER ANGLES (7/32 PER SIDE)
 SIDE WALL TO SIDE WALL DIMENSION = SKYCEILING DIMENSION + 1/4" FOR SHIM SPACE (1/8 PER SIDE) TO SKYCEILING DIMENSION



GRID SYSTEM-MAY OR MAY NOT BE PROVIDED BY THE SKY FACTORY. (SEE DRAWING Q1)
 LUMINOUS SKYLITE SUPPLIED BY THE SKY FACTORY ELEVATOR SUPPLIED BY THE SKY FACTORY

1/8" SHIM-NOT PROVIDED BY THE SKY FACTORY
 FOAM BACKER ROD-MAY OR MAY NOT BE PROVIDED BY THE SKY FACTORY. (SEE DRAWING Q1)
 CAULK-NOT PROVIDED BY THE SKY FACTORY
 PERIMETER ANGLE-MAY OR MAY NOT BE PROVIDED BY THE SKY FACTORY. (SEE DRAWING Q1)



PO BOX 1177
 Fairfield, Iowa 52556
 Phone: 641-472-1747
 www.TheSkyFactory.com

PRODUCT

TYPICAL RECTILINEAR LUMINOUS SKYCEILING
 SOFFIT INSTALLATION, T-5 TROFFER LIGHTING
 CROSS SECTION

REVISIONS	DATE	COMMENTS

XS1

DRAWN BY	DATE CREATED
JE	02-13-08